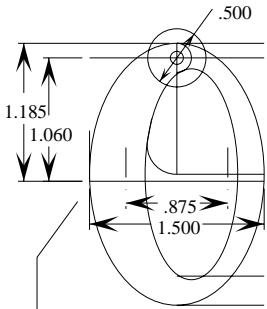
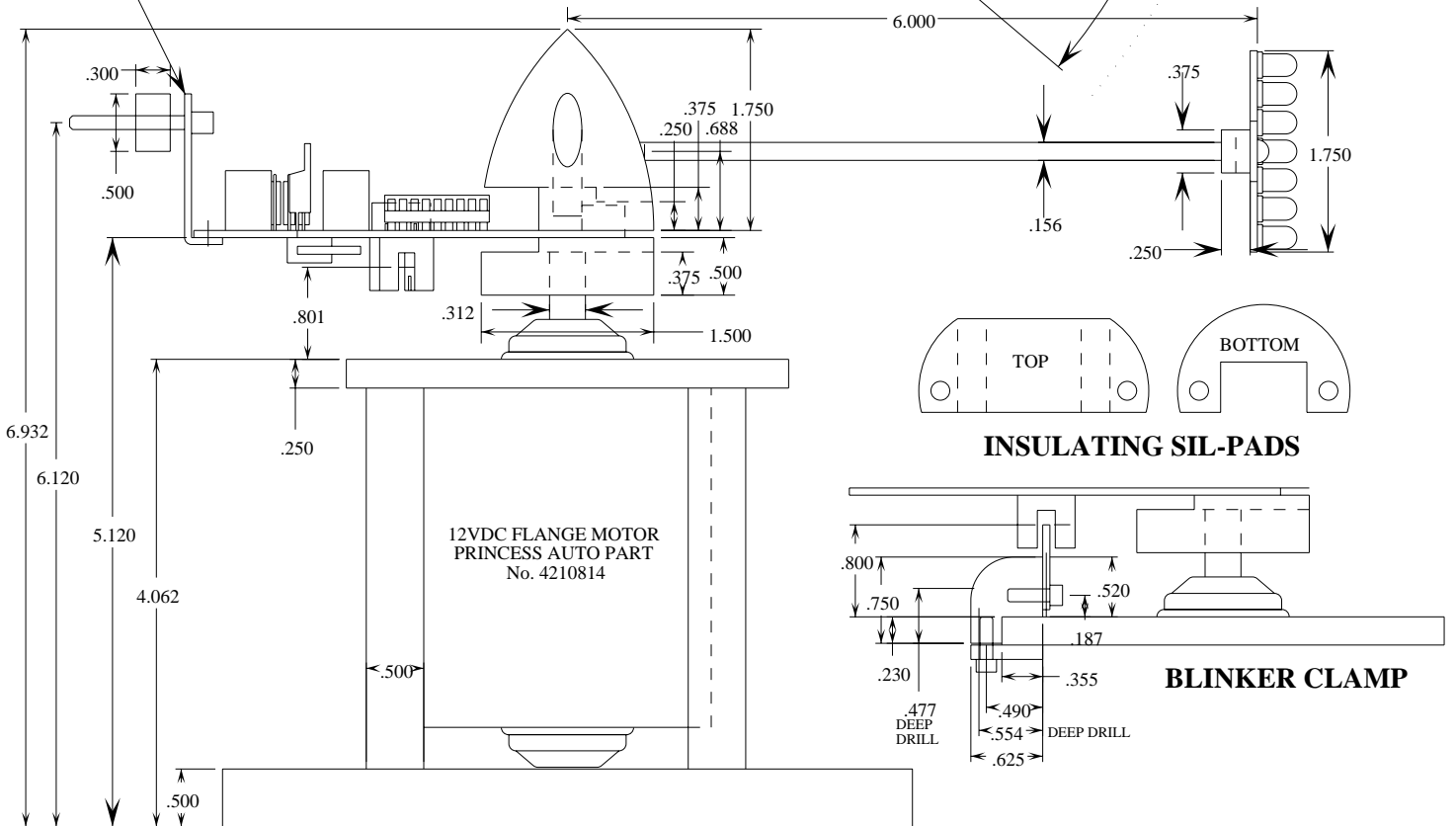
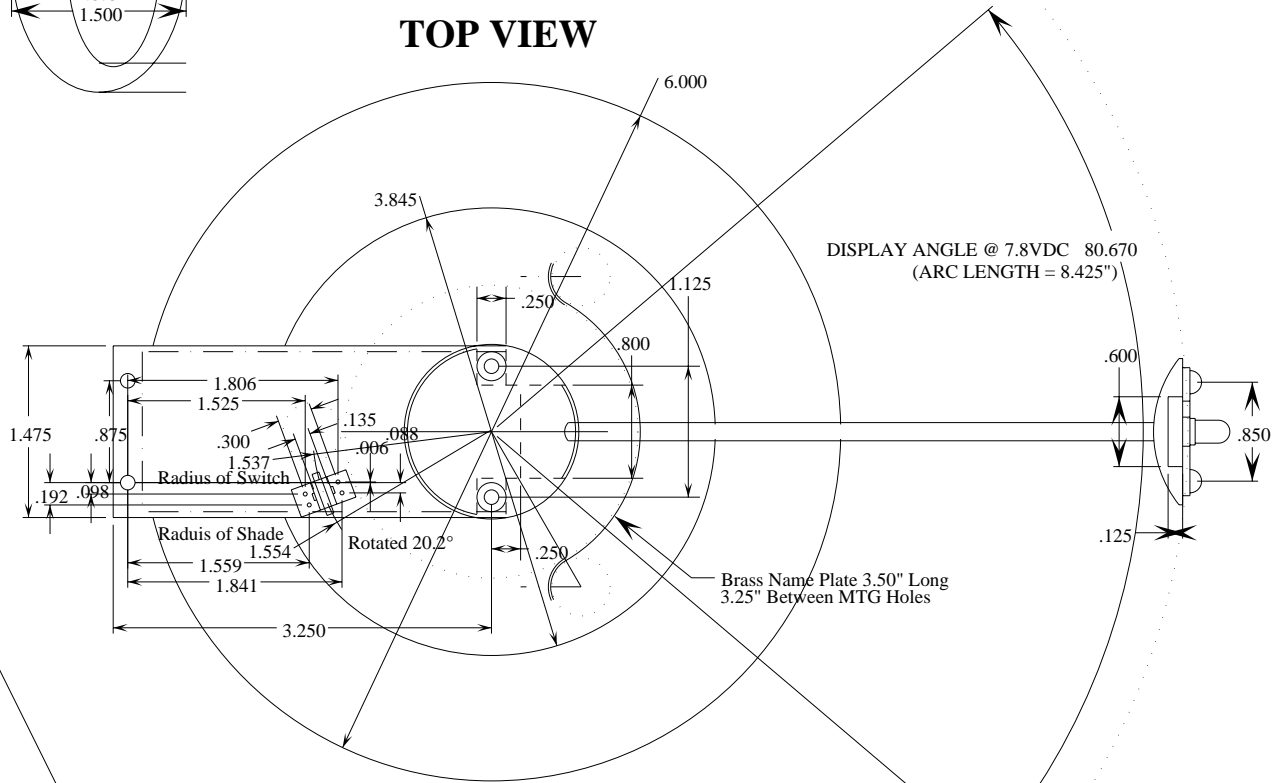


**COUNTERWEIGHT
BRACKET**



**BLICK PROPELLER CLOCK
MECHANICAL LAYOUT
© DARYL BENDER 1999**

TOP VIEW



SIDE VIEW