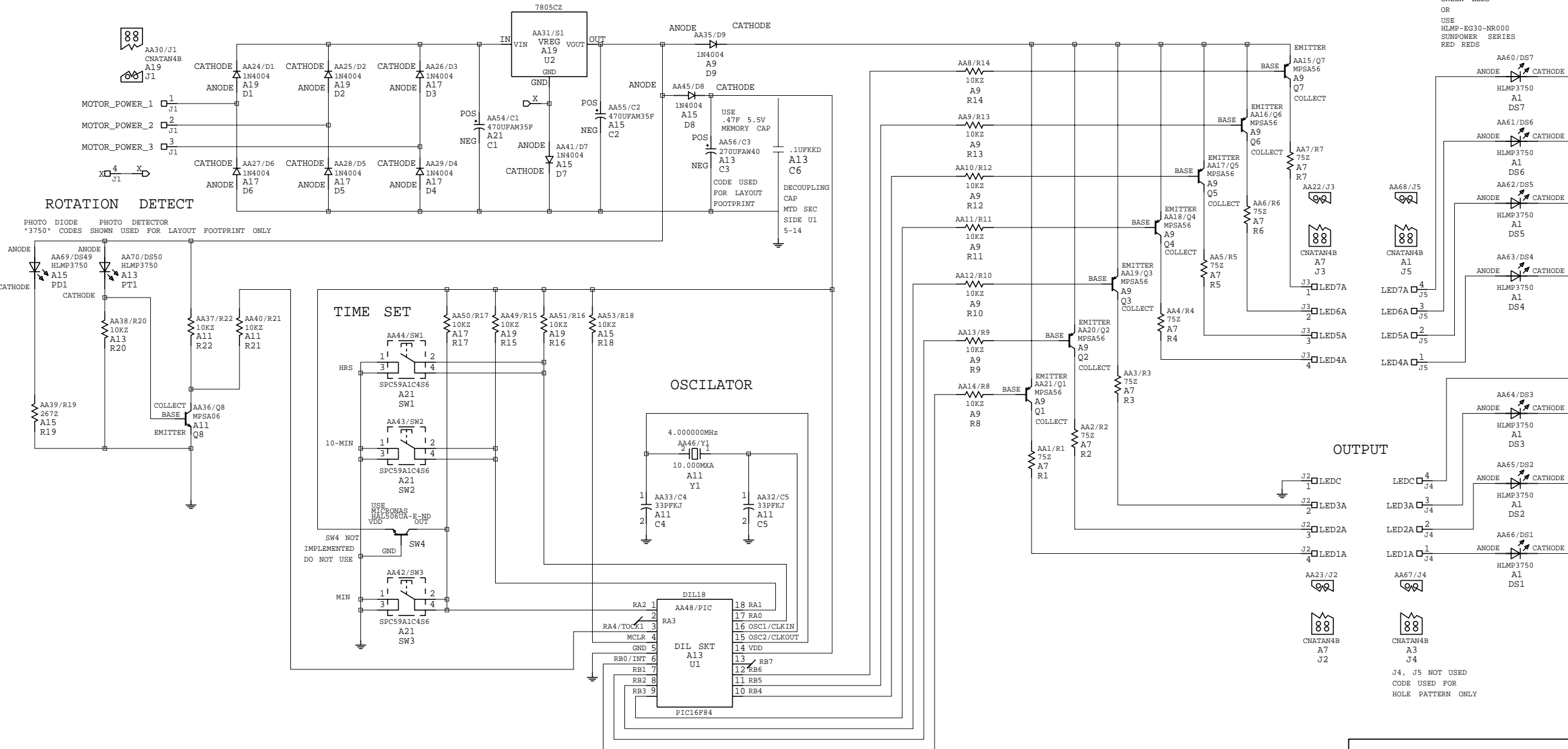


POWER IN

REGULATED POWER

LED DRIVERS

USE
HLM-30
SUNPOWER SERIES
GREEN LEDES
OR
USE
HLM-EG30-NR000
SUNPOWER SERIES
RED REDS



ROTATION DETECT

PHOTO DIODE PHOTO DETECTOR
3750 CODES SHOWN USED FOR LAYOUT FOOTPRINT ONLY

TIME SET

OSCILATOR

OUTPUT

J4, J5 NOT USED
CODE USED FOR
HOLE PATTERN ONLY